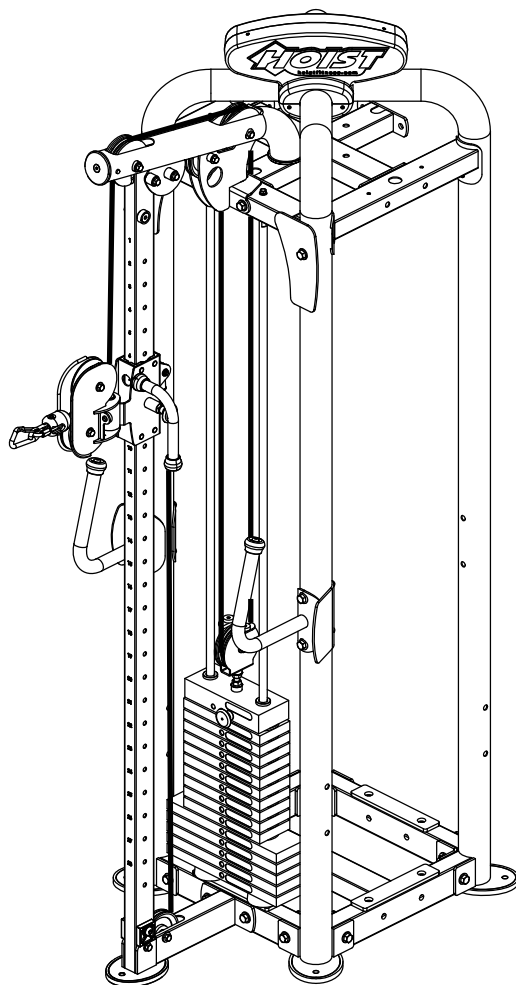


# OWNER'S MANUAL



## CMJ-6175 HI-LO PULLEY STATION



**\*\*WARNING!\*\***

TO PREVENT POSSIBLE TIPPING, BOLT THIS UNIT TO THE EXERCISE FLOOR. FAILURE TO DO SO MAY RESULT IN SERIOUS INJURY OR DEATH.

Note: Both Serial Number and Model Number are Required when Ordering Parts

**RECORD SERIAL NUMBER HERE**

**MACHINE CODE**

**C07**

**Customer Service**

(800) 548-5438

(858) 578-7676

**Fax**

(858) 578-9558



[www.facebook.com/hoistfitness](http://www.facebook.com/hoistfitness)

# OWNER'S MANUAL

## CONTENTS

INSTRUCTIONS .....	02
FRAME ASSEMBLY .....	04
ACCESSORIES/MISC.....	13
PRE-ASSEMBLY.....	14
DECAL PLACEMENT.....	15
DECAL REFERENCE.....	16
PART LIST.....	17
ABBREVIATIONS.....	20
BOLT SIZING CHART.....	21
WASHER SIZING CHART.....	22
MAINTENANCE SCHEDULE.....	24
GENERAL MAINTENANCE INFORMATION.....	25
WEIGHT TRAINING TIPS.....	26
WEIGHT RATIOS.....	27
EXERCISE LOG.....	28
LIMITED WARRANTY.....	29

# **OWNER'S MANUAL**

## **INSTRUCTIONS**

Before beginning assembly please take the time to read instructions thoroughly. Please use the various lists in this manual to make sure that all parts have been included in your shipment. When ordering, use part number and description from the lists. Use only HOIST replacement parts when servicing. Failure to do so will void your warranty and could result in personal injury.

HOIST equipment is designed to provide the smoothest, most effective exercise motion possible. After assembly, you should check all functions to ensure correct operation. If you experience problems, first recheck the assembly instructions to locate any possible errors made during assembly. If you are unable to correct the problem, call your authorized HOIST dealer. Be sure to have your serial number and this manual when calling. When all parts have been accounted for, continue on.

## **TOOLS REQUIRED**

**Ratchet Wrench**

**1/2", 9/16" and 3/4" Sockets**

**Adjustable Wrench**

**Rubber Mallet**

**Tape Measure**

**Level**

**Hex Key Wrench Set**

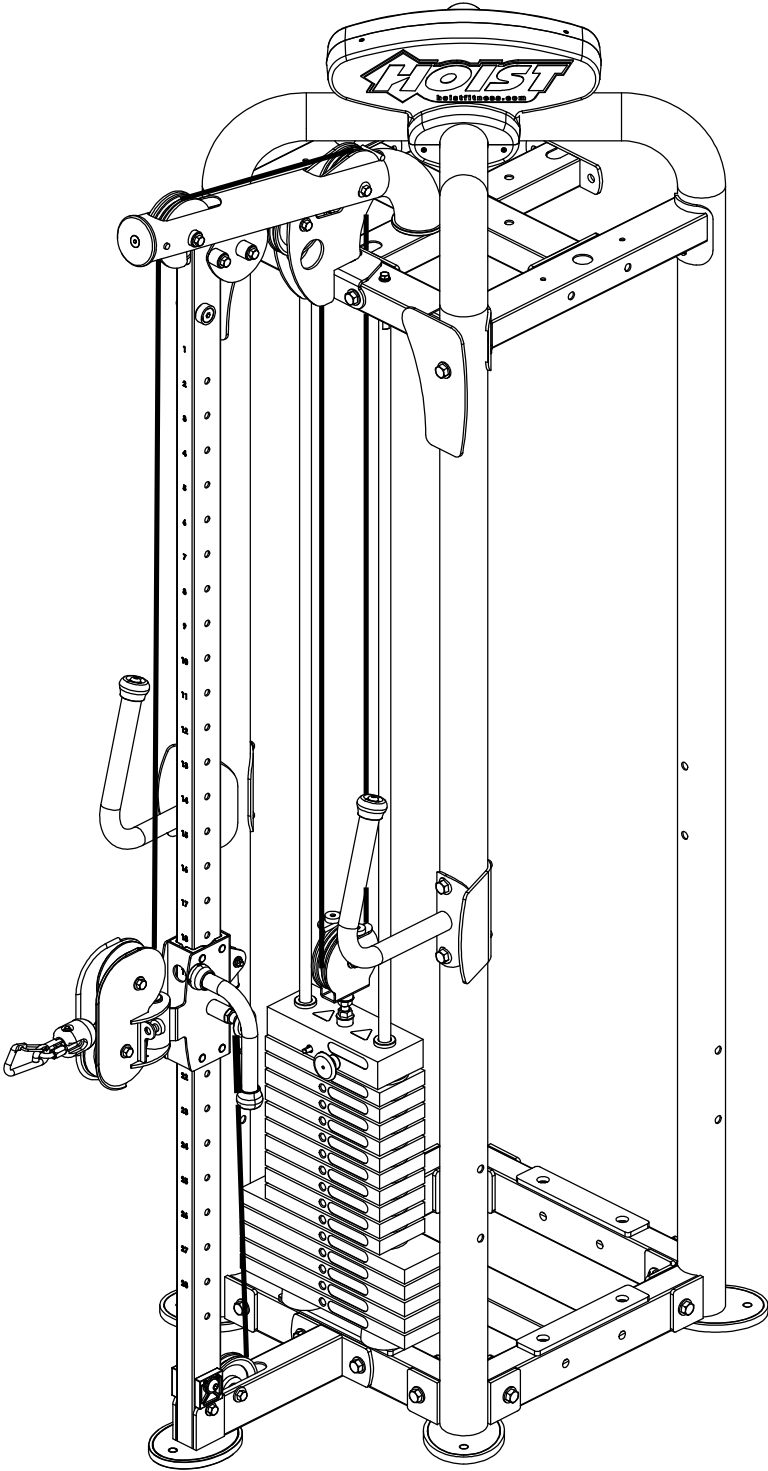
**Two People**

# **OWNER'S MANUAL**

\*\*\*THIS PAGE WAS INTENTIONALLY LEFT BLANK\*\*\*

# OWNER'S MANUAL

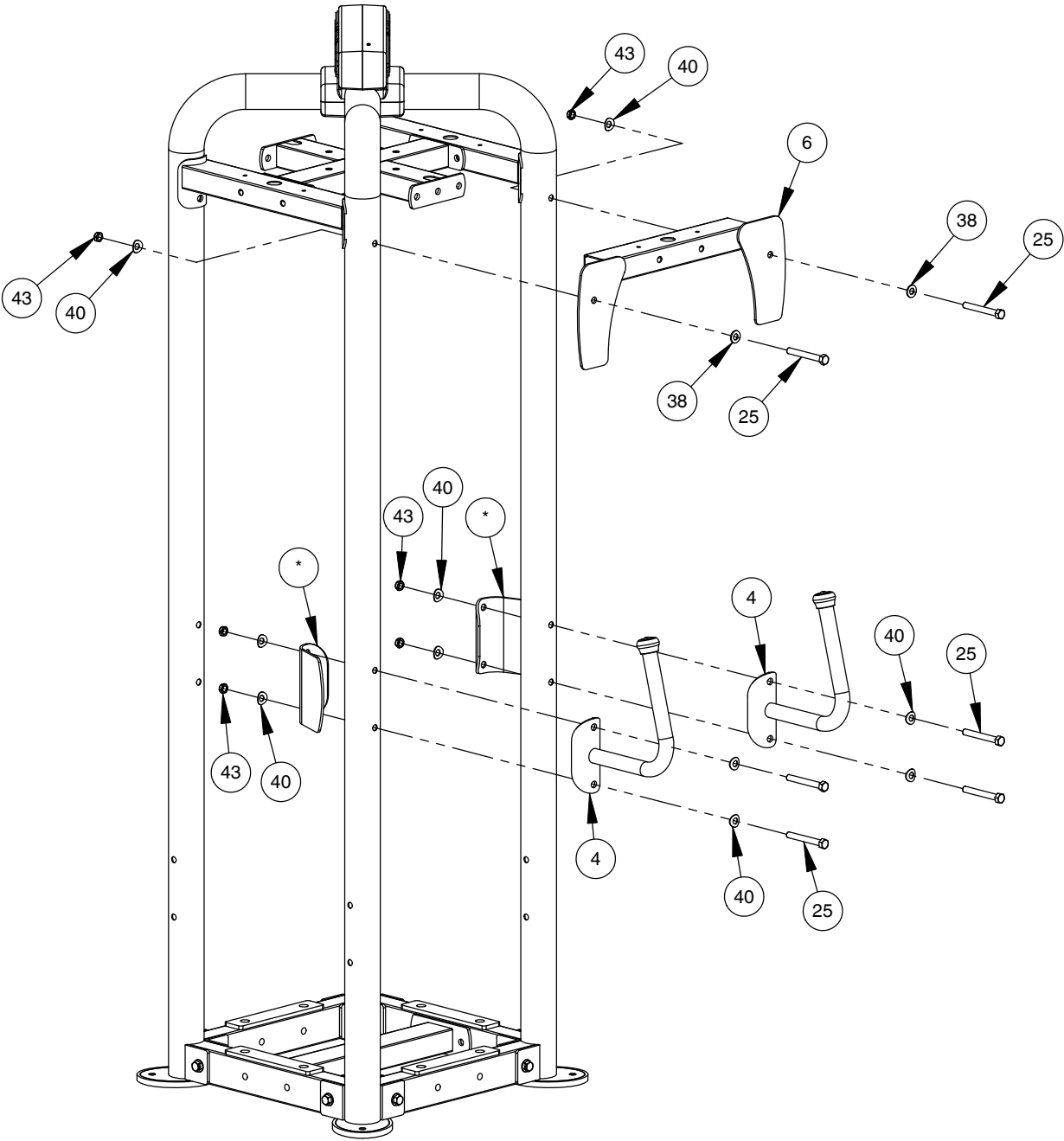
## FRAME ASSEMBLY



# OWNER'S MANUAL

## FRAME ASSEMBLY

NOTE:  
- WRENCH TIGHTEN HARDWARE.  
\* ITEMS REFERENCED AND ASSEMBLED  
IN CMJ-6201 AND/OR CMJ-6203 MANUAL.

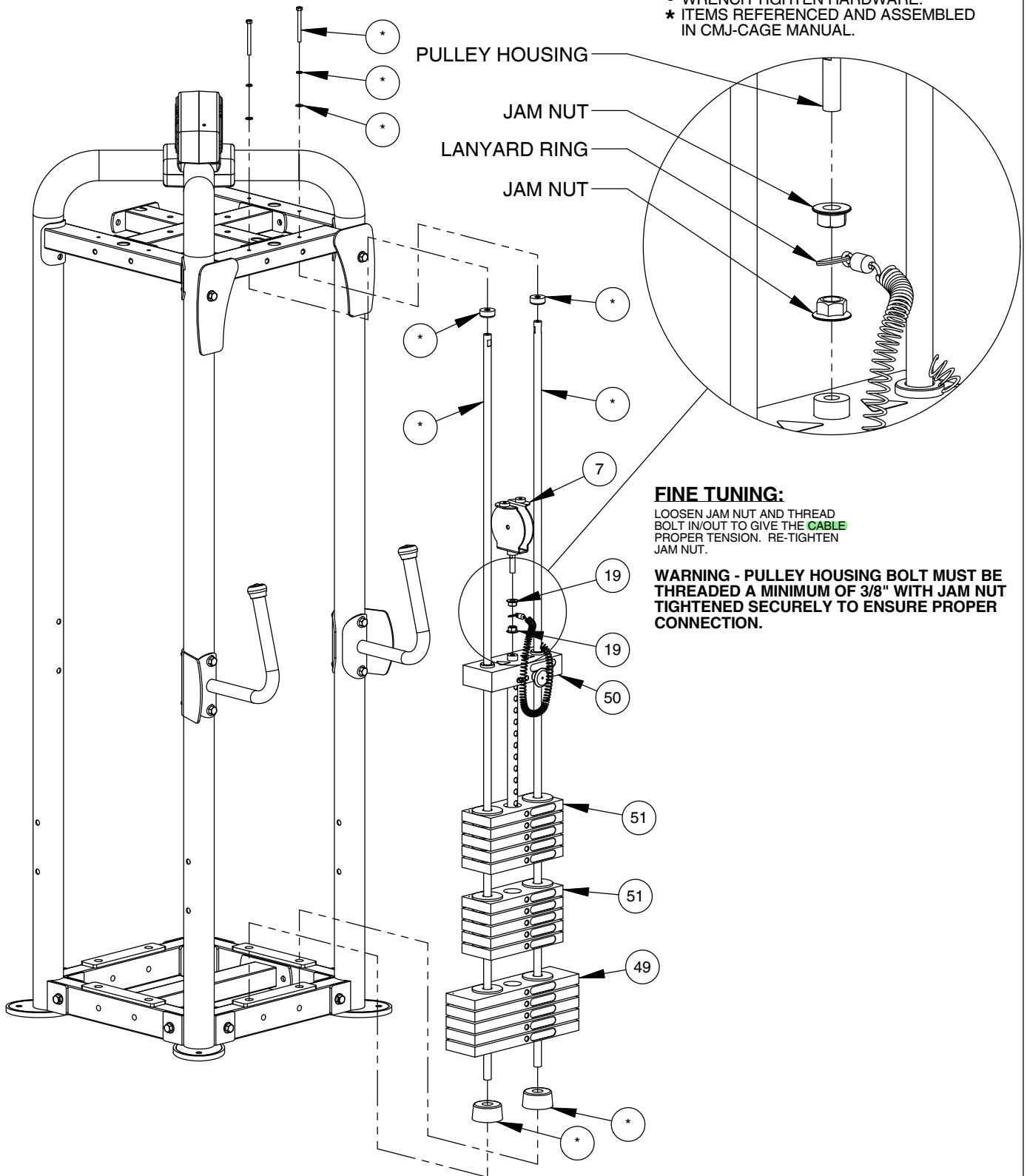


# OWNER'S MANUAL

## FRAME ASSEMBLY

**NOTE:**

- WRENCH TIGHTEN HARDWARE.
- \* ITEMS REFERENCED AND ASSEMBLED IN CMJ-CAGE MANUAL.



**FINE TUNING:**

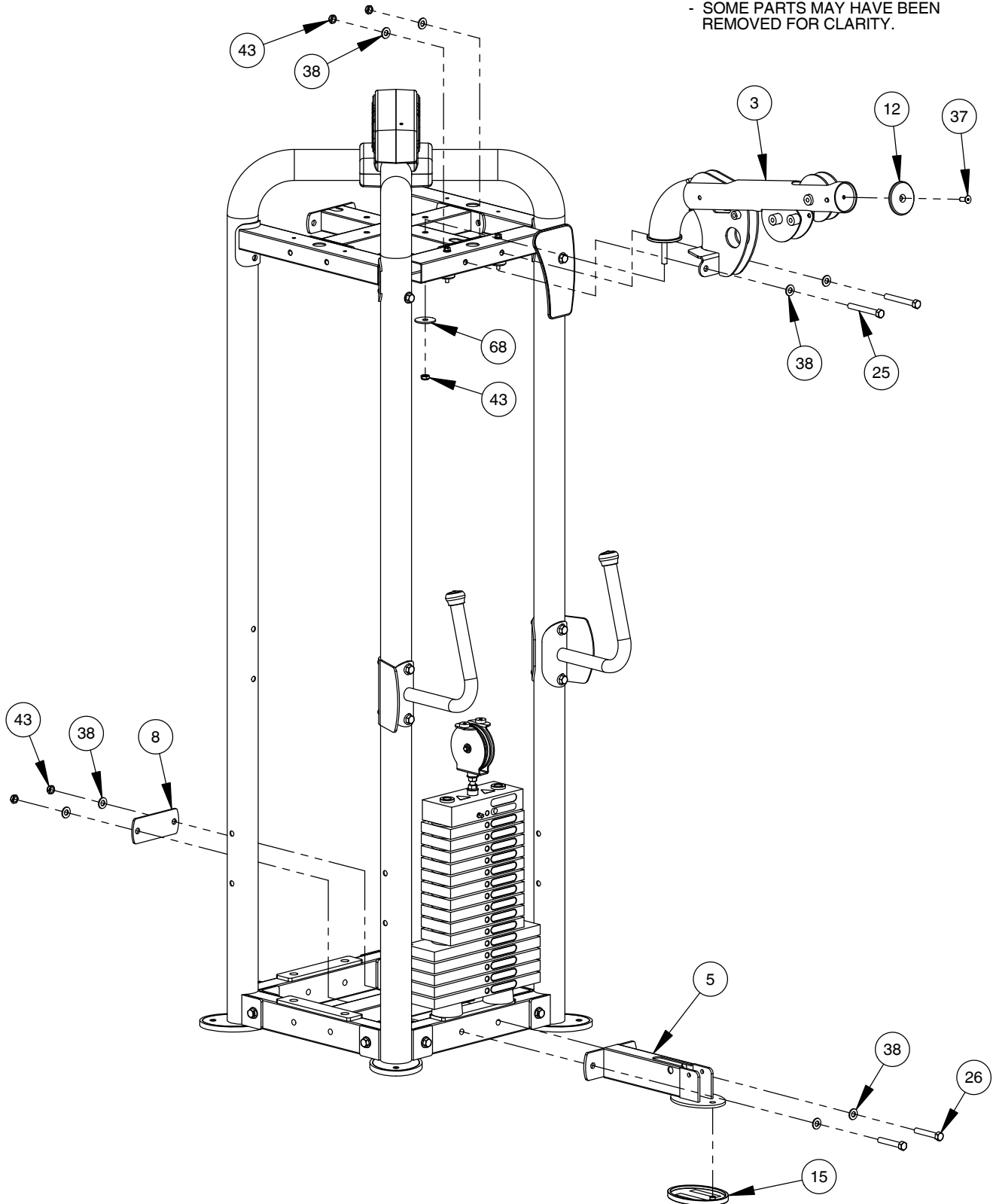
LOOSEN JAM NUT AND THREAD BOLT IN/OUT TO GIVE THE **CABLE** PROPER TENSION. RE-TIGHTEN JAM NUT.

**WARNING - PULLEY HOUSING BOLT MUST BE THREADED A MINIMUM OF 3/8" WITH JAM NUT TIGHTENED SECURELY TO ENSURE PROPER CONNECTION.**

# OWNER'S MANUAL

## FRAME ASSEMBLY

NOTE:  
- HAND TIGHTEN HARDWARE.  
- SOME PARTS MAY HAVE BEEN  
REMOVED FOR CLARITY.

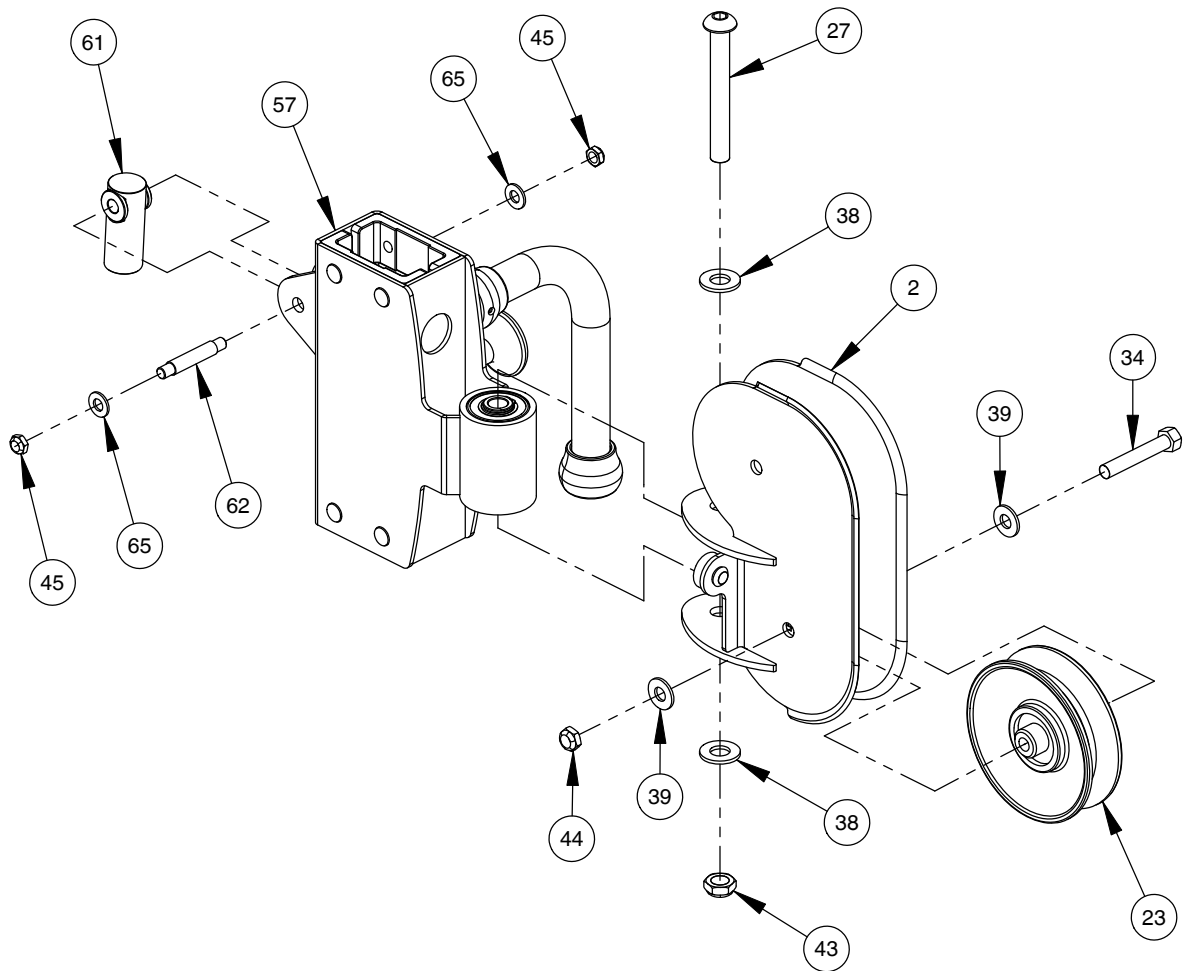




# OWNER'S MANUAL

## FRAME ASSEMBLY

NOTE:  
- WRENCH TIGHTEN HARDWARE.  
- SOME PARTS MAY HAVE BEEN  
REMOVED FOR CLARITY.

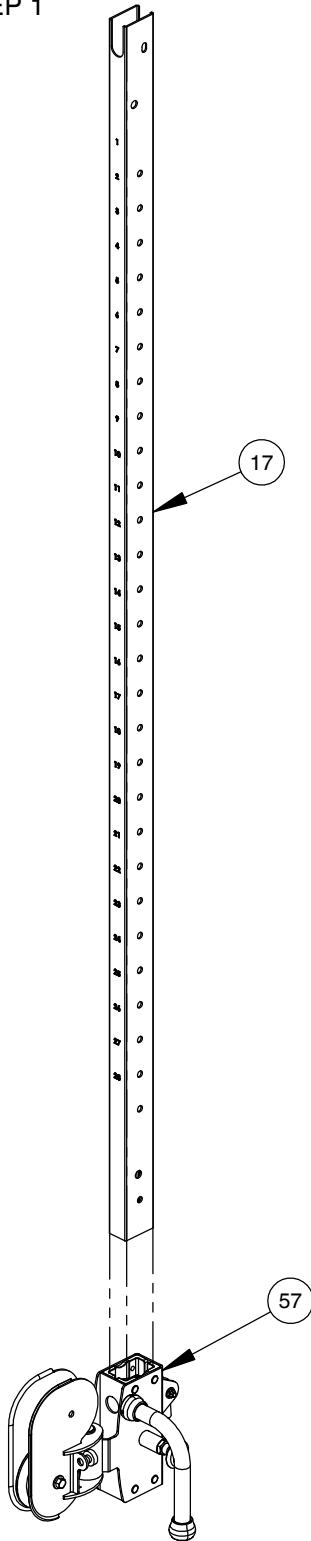


# OWNER'S MANUAL

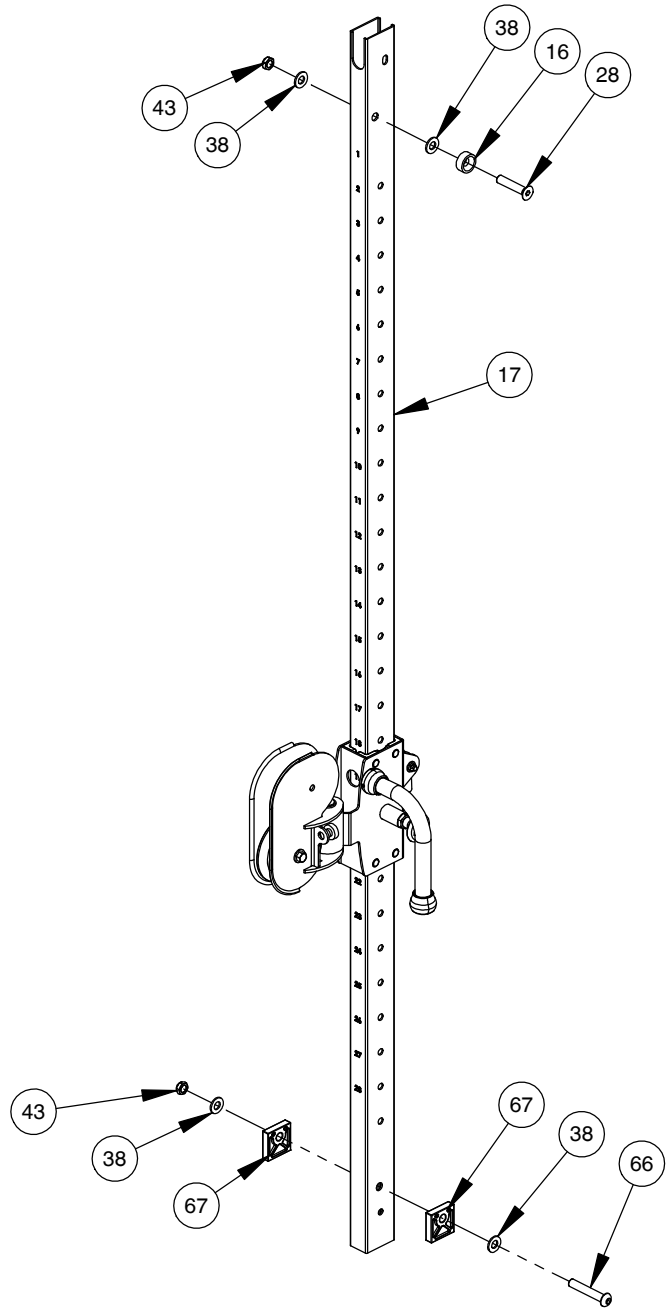
## FRAME ASSEMBLY

NOTE:  
- WRENCH TIGHTEN HARDWARE.

STEP 1



STEP 2



# OWNER'S MANUAL

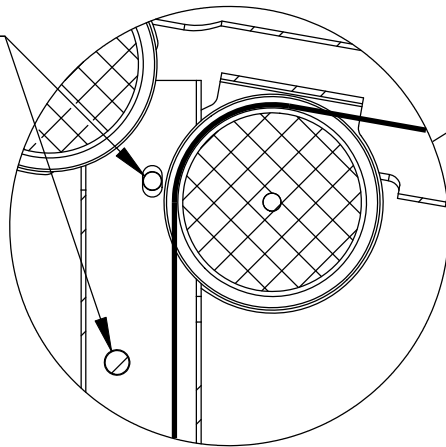
## FRAME ASSEMBLY

**NOTE:**

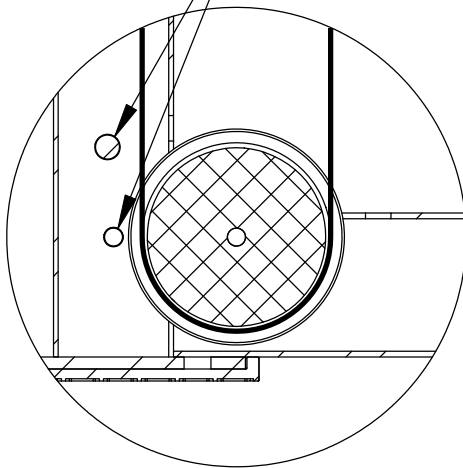
BE SURE **CABLE** RUNS BETWEEN THE PULLEYS AND GUARD PINS AS SHOWN.

### PROPERLY INSTALLED VIEW OF **CABLE**

BE SURE **CABLE** IS POSITIONED BETWEEN PULLEY AND THESE BOLTS AS SHOWN.

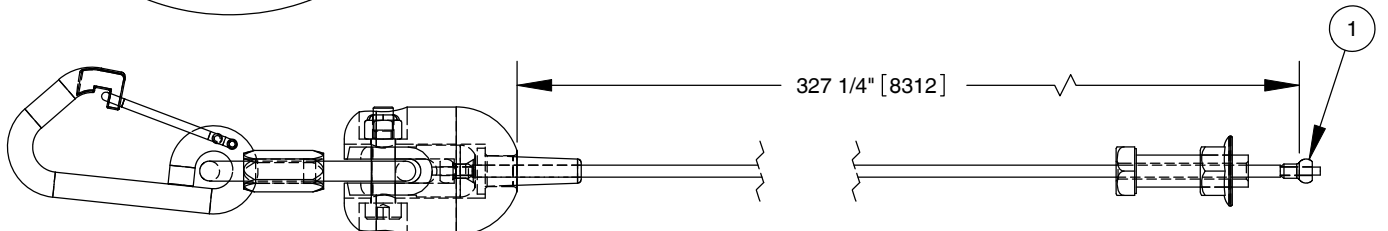
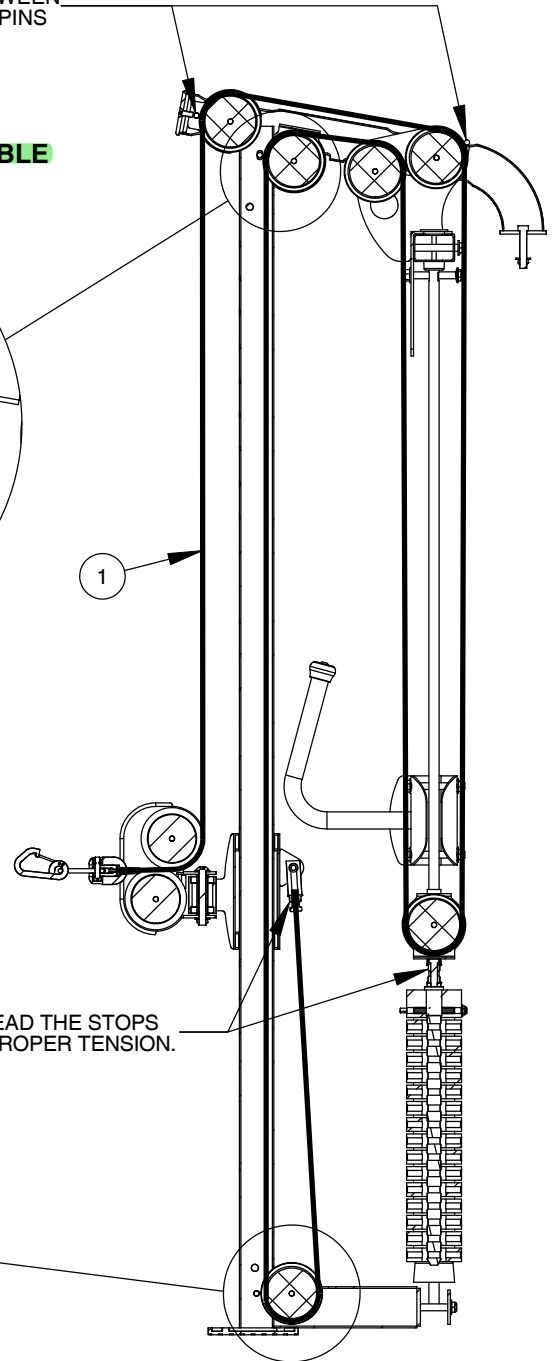


BE SURE **CABLE** IS POSITIONED BETWEEN PULLEY AND THESE BOLTS AS SHOWN.



### MAJOR ADJUSTMENT:

LOOSEN JAM NUTS AND THREAD THE STOPS IN/OUT TO GIVE THE **CABLE** PROPER TENSION. RE-TIGHTEN JAM NUTS.

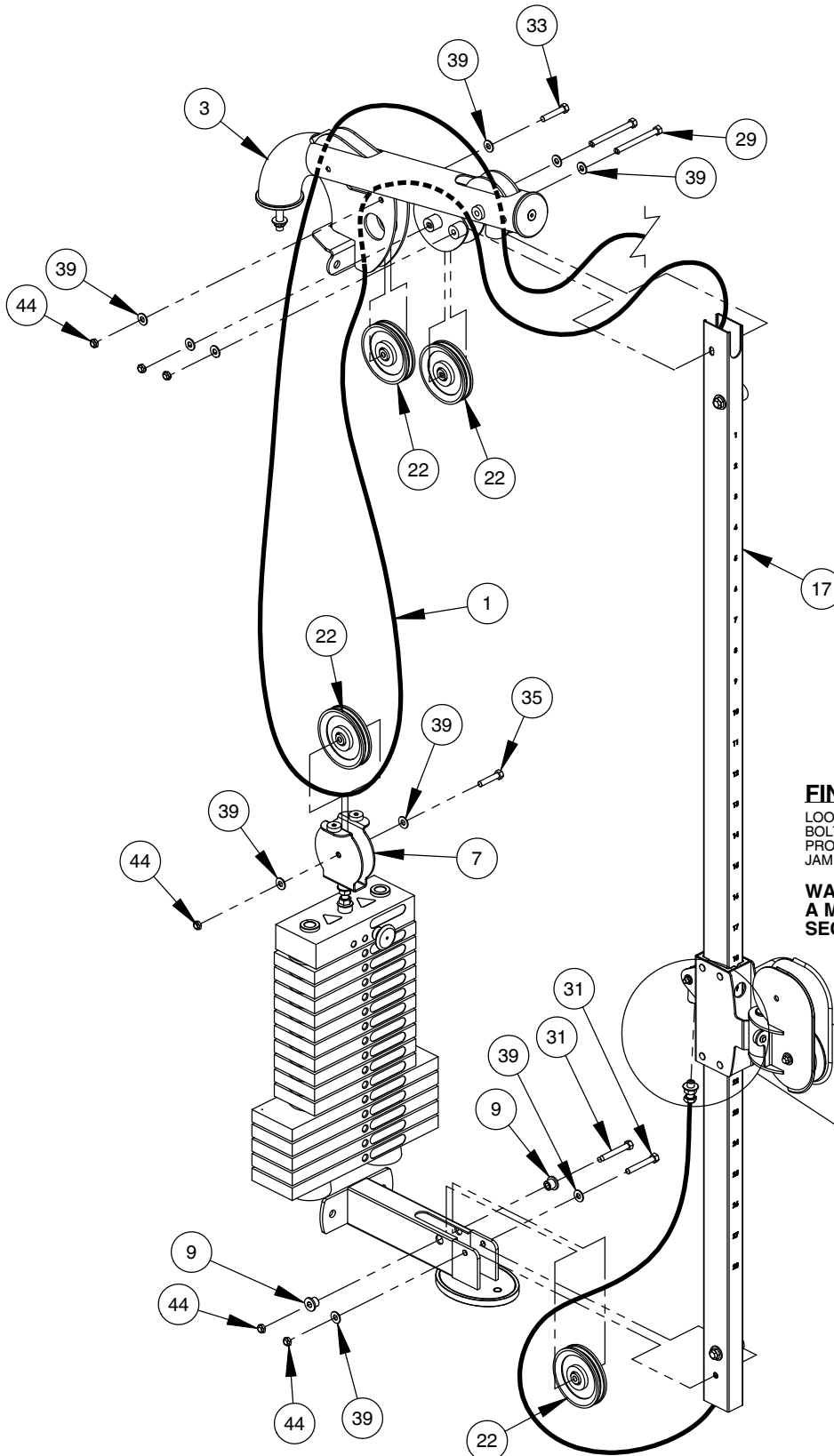


# OWNER'S MANUAL

## FRAME ASSEMBLY

### NOTE:

- WRENCH TIGHTEN HARDWARE.
- WRENCH TIGHTEN ALL PREVIOUSLY HAND TIGHTENED HARDWARE.
- INSTALL **CABLE** AND PULLEYS AT THE SAME TIME.
- SOME PARTS MAY HAVE BEEN REMOVED FOR CLARITY.



### FINE TUNING:

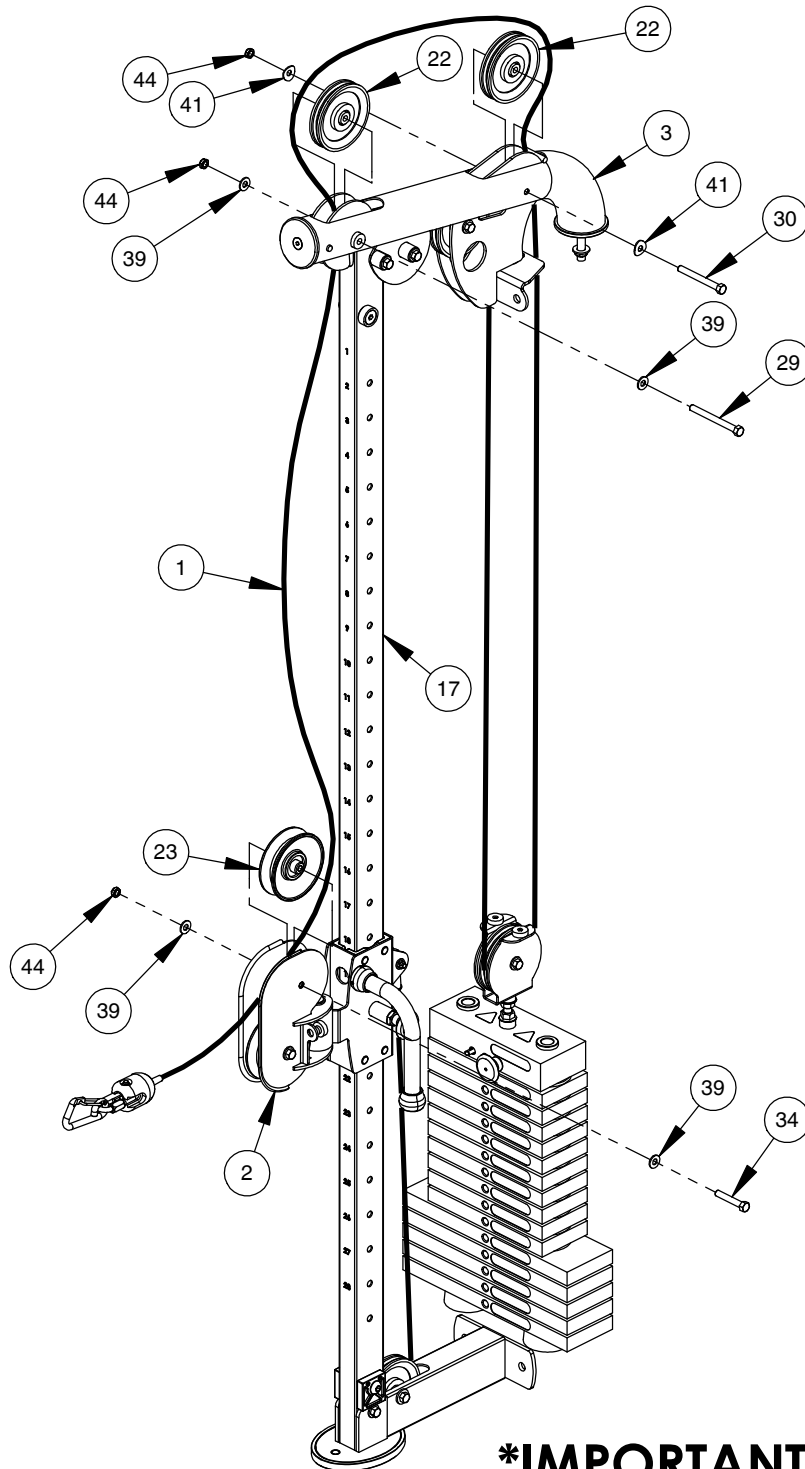
LOOSEN JAM NUT AND THREAD BOLT IN/OUT TO GIVE THE **CABLE** PROPER TENSION. RE-TIGHTEN JAM NUT.

**WARNING - CABLE BOLT MUST BE THREADED A MINIMUM OF 3/8" WITH JAM NUT TIGHTENED SECURELY TO ENSURE PROPER CONNECTION.**

JAM NUT  
**CABLE BOLT**

# OWNER'S MANUAL

## FRAME ASSEMBLY



**NOTE:**

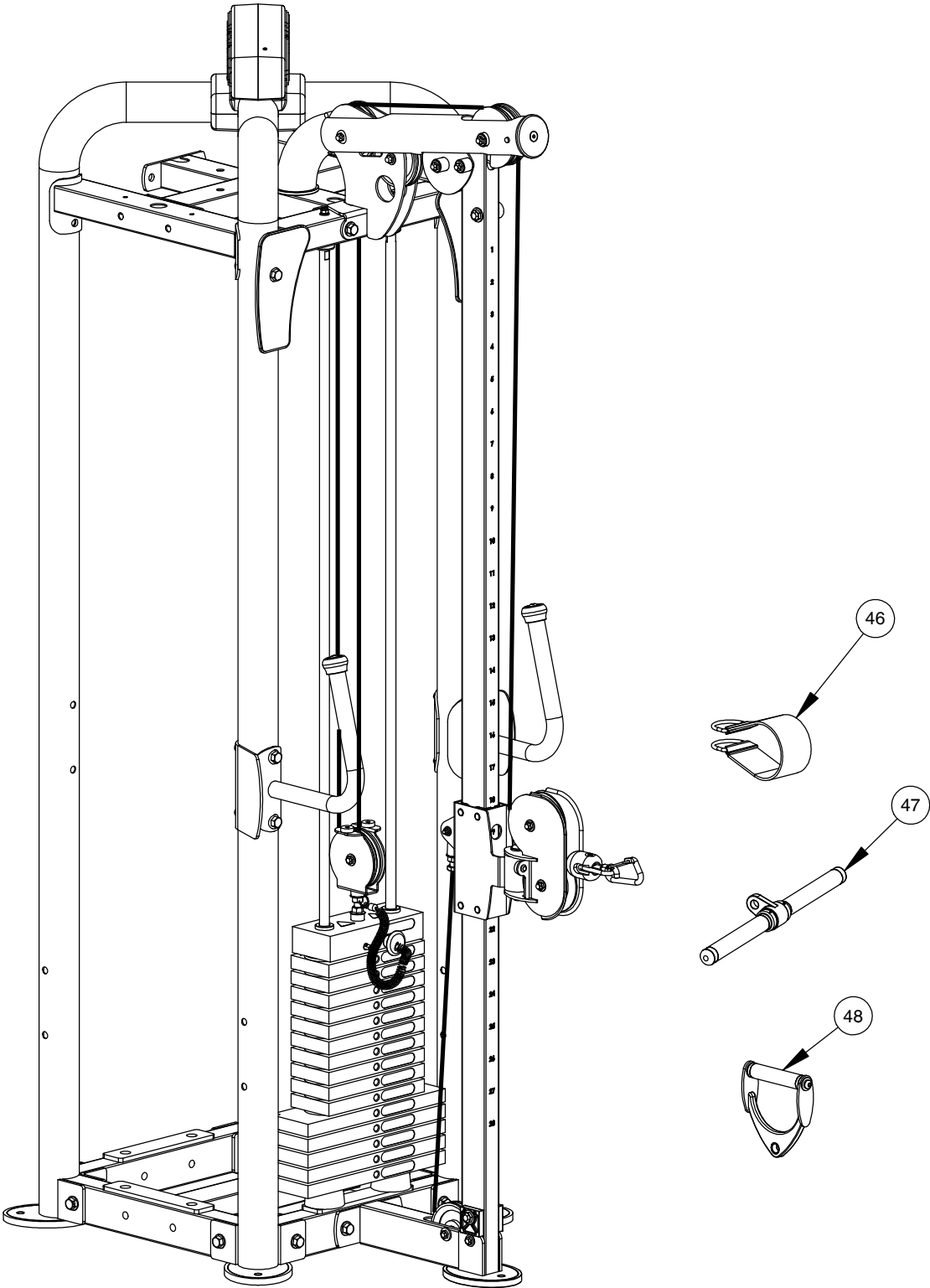
- WRENCH TIGHTEN HARDWARE.
- INSTALL **CABLE** AND PULLEYS AT THE SAME TIME.
- SOME PARTS MAY HAVE BEEN REMOVED FOR CLARITY.

### **\*IMPORTANT\***

NOW THAT THE CMJ-6175 IS COMPLETELY ASSEMBLED TAKE TIME TO ASSURE THAT YOUR UNIT IS ASSEMBLED SQUARE AND PERPENDICULAR. USE A LEVEL TO CHECK THAT THE GUIDE RODS ARE PERPENDICULAR IN BOTH DIRECTIONS. IF THEY ARE NOT PERPENDICULAR IN BOTH DIRECTIONS, IT WILL BE NECESSARY TO LOOSEN SOME FRAME HARDWARE TO RE-ALIGN THE FRAME AND RETIGHTEN BOLTS.

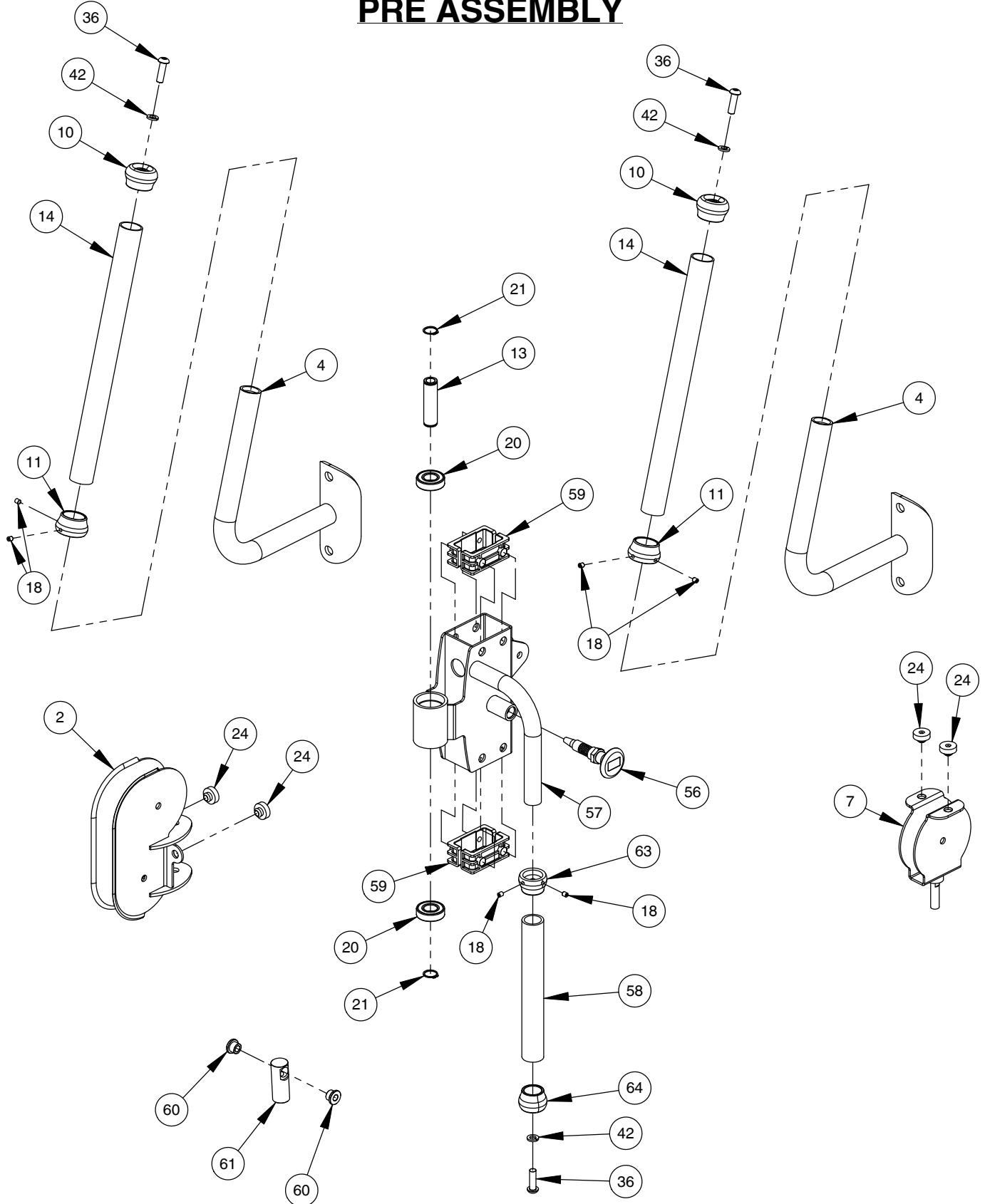
# OWNER'S MANUAL

## ACCESSORIES



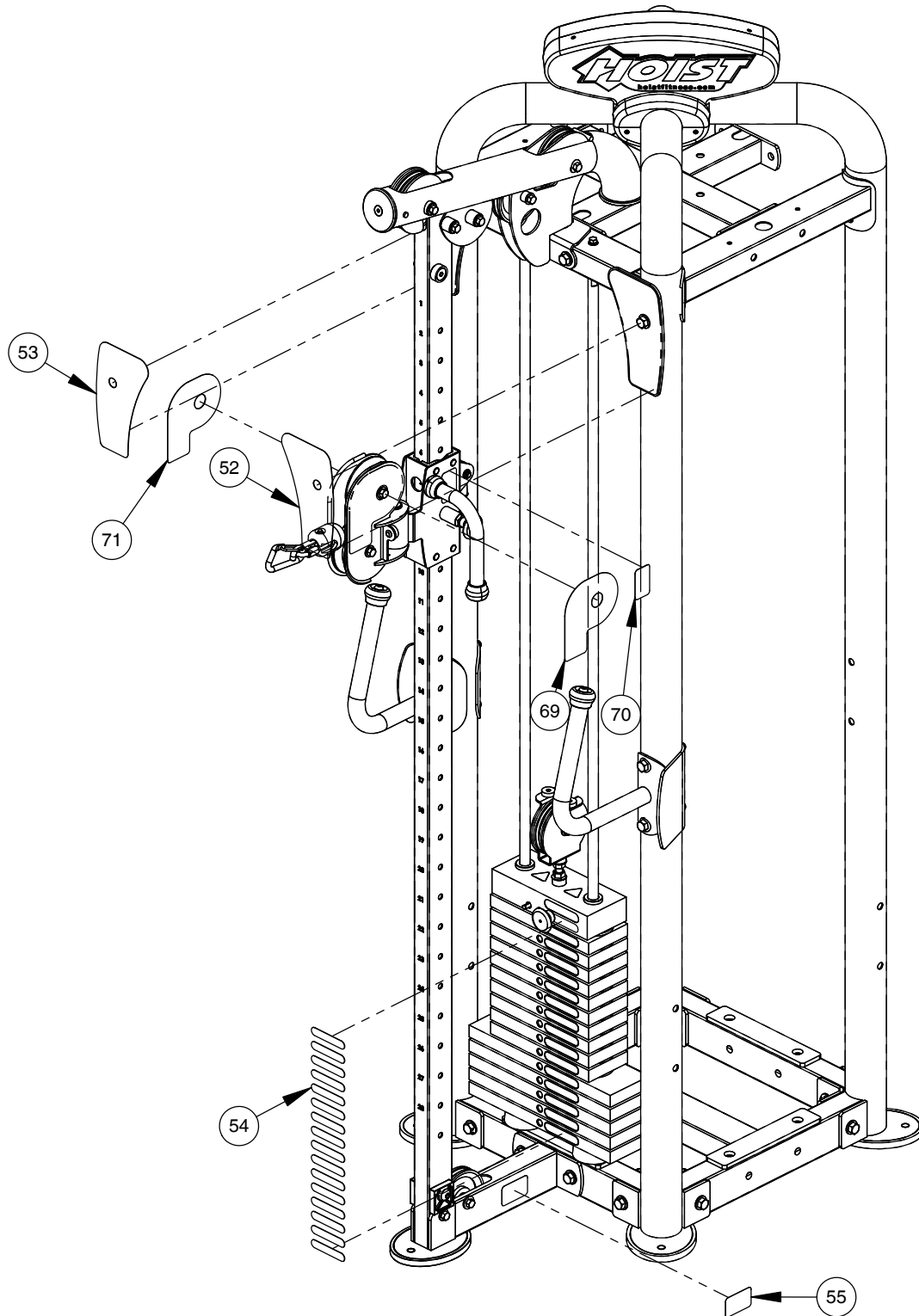
# OWNER'S MANUAL

## PRE ASSEMBLY



# OWNER'S MANUAL

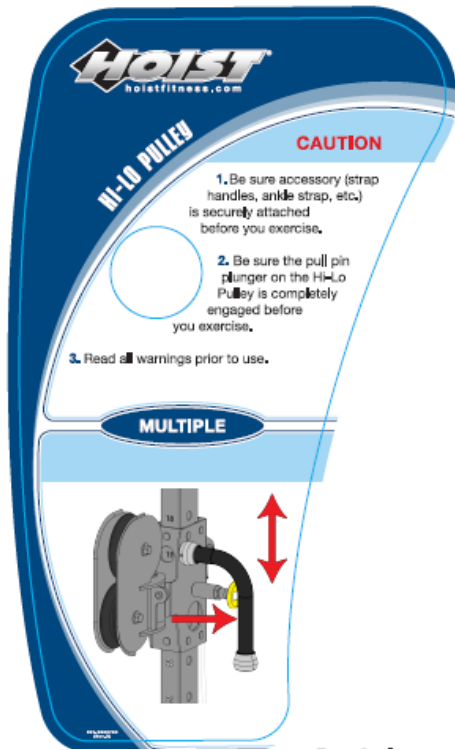
## DECAL PLACEMENT



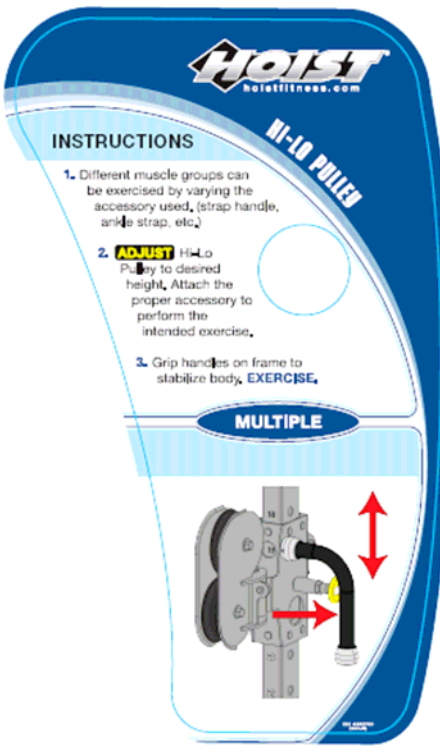


# OWNER'S MANUAL

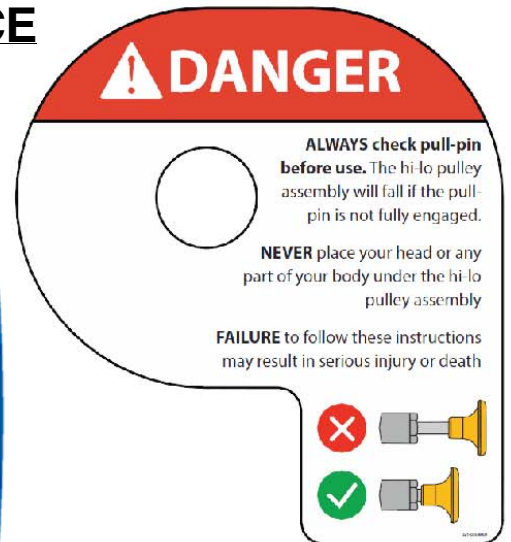
## DECAL REFERENCE



021-0003790



021-0003791



021-0004001



20 LBS / 9 KGS

80 LBS / 36 KGS

150 LBS / 68 KGS

30 LBS / 14 KGS

90 LBS / 41 KGS

165 LBS / 75 KGS

40 LBS / 18 KGS

100 LBS / 45 KGS

180 LBS / 82 KGS

50 LBS / 23 KGS

110 LBS / 50 KGS

195 LBS / 88 KGS

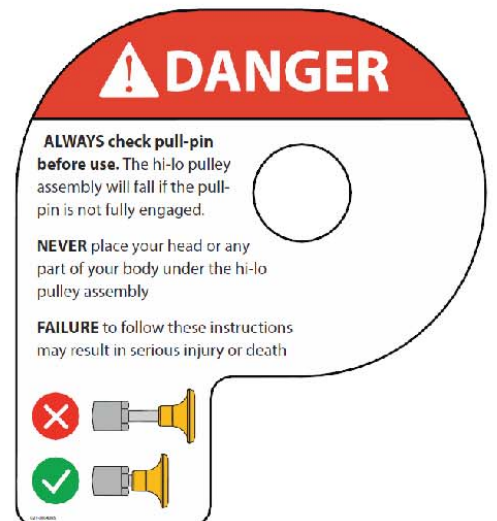
60 LBS / 27 KGS

120 LBS / 54 KGS

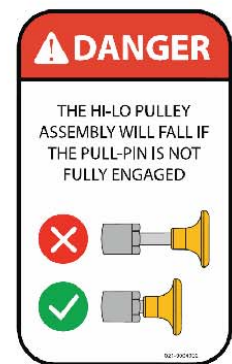
70 LBS / 32 KGS

135 LBS / 61 KGS

021-0003806



021-0004005



021-0004002

# OWNER'S MANUAL

## PART LIST

NOTE: SOME OF THESE PARTS MAY COME PRE-INSTALLED

ITEM NO.	PART NUMBER	DESCRIPTION	QTY.
1	010-01C0416	CABLE, CMJ-6175 WEIGHT STACK	1
2	026-01X3821	SWIVEL PULLEY HOUSING	1
3	026-01X5489	PULLEY MOUNT-4	1
4	026-01X5497	HANDLE	2
5	026-01X3819	BASE, HI-LO	1
6	026-01X5513	GUIDE ROD MOUNT, TOP-2	1
7	026-01X5528	ADJUSTABLE PULLEY MOUNT	1
8	026-01F0307	FLANGE: 2 HOLES 6.25" X 2.50"	1
9	026-01M0760	HEAVY FLANGED SPACER: Ø.67 O.D. X Ø.39 I.D. X .50 LG.	2
10	026-01M0932	ALUMINIUM CAP: Ø1.25" ID	2
11	026-01M0933	ALUMINUM RING: Ø1.25" ID	2
12	026-01M2279	END CAP FLAT	1
13	026-01M2661	SHAFT Ø.787" OD X Ø.5156" ID X 2.9375" LG.	1
14	026-01pl0235-01	OPEN END GRIP 1.43" OD X 1.188" ID X 16" LG	2
15	026-01PL2122-B	OVAL-SHAPED RUBBER FOOT	1
16	026-01PL2325	PLASTIC LIMITER	1
17	026-01T4759	COLUMN	1
18	011-0411001	SET SCREW: 1/4"-28 X .25" LG. (SS)	6
19	012-0202001	1/2"-13 FLANGED NUT (WZ)	2
20	014-0012015	BEARING: FLANGELESS Ø1.65" O.D. X Ø.79" I.D. X .47" WIDE	2
21	014-0012017	SNAP RING - 20mm EXTERNAL	2
22	018-0001003	CABLE PULLEY: Ø4.50"	6
23	018-0002014	CABLE PULLEY: WIDE (BORED HUB) Ø4.50"	2
24	019-0001001	PLUG BUMPER	4
25	011-0407047	1/2"-13UNC X 4.00" HHB (WZ)	8
26	011-0407016	1/2"-13UNC X 3.00" HHB (WZ)	2
27	011-0101092	1/2"-13UNC X 4.00" BHCS (WZ)	1
28	011-0002046	1/2"-13UNC X 2.50" FHB (WZ)	1
29	011-0407025	3/8"-16UNC X 4.00" HHB (WZ)	3
30	011-0107051	3/8"-16UNC X 3.50" HHB (WZ)	1
31	011-0107009	3/8"-16UNC X 2.50" HHB (WZ)	2
33	011-0407058	3/8"-16UNC X 2.00" HHB (WZ)	1
34	011-0107026	3/8"-16UNC X 2.25" HHB (WZ)	2
35	011-0407027	3/8"-16UNC X 1.75" HHB (WZ)	1
36	011-0401002	3/8"-16UNC X 1.25" BHCS (SS)	3
37	011-0002042	3/8"-16UNC X 1.00" FHCS (WZ)	1
38	013-0102003	1/2" X 27mm SAE FLAT WASHER (WZ)	16
39	013-0402007	3/8" X 22mm FLAT WASHER (WZ)	16

# OWNER'S MANUAL

## PART LIST CONTINUED

NOTE: SOME OF THESE PARTS MAY COME PRE-INSTALLED

ITEM NO.	PART NUMBER	DESCRIPTION	QTY.
40	013-0202007	1/2" CURVED WASHER (WZ)	10
41	013-0102028	3/8" CURVED WASHER (WZ)	2
42	013-0402011	3/8" SPLIT LOCK WASHER (SS)	3
43	012-0304011	1/2"-13 UNC THIN NYLOCK NUT (WZ)	14
44	012-0104008	3/8"-16 UNC THIN NYLOCK NUT (WZ)	10
45	012-0102006	5/16"-18UNC THIN NYLOCK NUT (WZ)	2
46	022-0008033	ANKLE STRAP	1
47	026-01X1118	ALUMINUM CURL BAR ASSEMBLY	1
48	026-01X3657	ALUMINUM D HANDLE	1
49	026-01X1855	15 LB INTERMEDIATE WT. PLATES QTY. (5)	1
50	026-01X5537	20 LB TOP WEIGHT PLATE ASSEMBLY W/ 16 HOLE STEM	1
51	026-01X1865	10 LB INTERMEDIATE WT. PLATES QTY. (5)	2
52	021-0003791	PLACARD-2, CMJ, HI-LO STATION	1
53	021-0003790	PLACARD-1, CMJ, HI-LO STATION	1
54	021-0003806	DECAL WEIGHT STACK (1-16)	1
55	SERIAL # DECAL	DECAL HOIST SERIAL # 1.63" X 2.63"	1
56	026-01X2360	PULLPIN ASSEMBLY (TAPERED)	1
57	026-01X3820	SWIVEL PULLEY MOUNT	1
58	026-01PL0206-29	GRIP - OPEN END $\phi$ 1.00" X 9.25" LG.	1
59	026-01PL2299	WEAR SLEEVE	4
60	014-0101020	BUSHING: OILITE FLANGED $\phi$ .63" O.D. X $\phi$ .38" I.D. X .50" LG.	2
61	026-01M1103	THREADED CABLE ANCHOR $\phi$ 1.00" O.D X 2.50" LG.	1
62	026-01M1136	SHAFT CABLE ANCHOR $\phi$ .375" X 1.53" LG.	1
63	026-01M0936	ALUMINIUM RING: $\phi$ 1.00" I.D.	1
64	026-01M0937	END CAP: ALUMINUM $\phi$ 1.0" I.D.	1
65	013-0302008	5/16" SAE FLAT WASHER (WZ)	2
66	011-0101019	1/2"-13UNC X 3.00" BHCS (WZ)	1
67	026-01PL2591	BUMPER	2
68	013-0002008	$\phi$ 2.0000" O.D. X $\phi$ .5313" I.D. CUSTOM WASHER	1
69	021-0004005	HI-LO PULLEY WARNING DECAL	1
70	021-0004002	PULLEY WARNING DECAL	1
71	021-0004001	HI-LO PULLEY WARNING DECAL	1

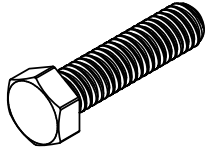
# **OWNER'S MANUAL**

\*\*\*THIS PAGE WAS INTENTIONALLY LEFT BLANK\*\*\*

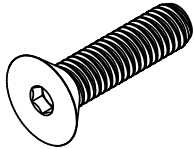
# OWNER'S MANUAL

## ABBREVIATIONS

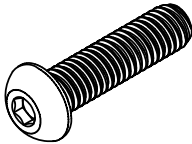
BZ = Black Zinc  
Ni = Nickel Plated  
SS = Stainless Steel  
WZ = White Zinc



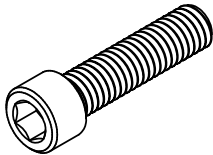
HHB = Hex Head Bolt



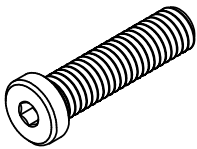
FHCS = Flat Head Cap Screw



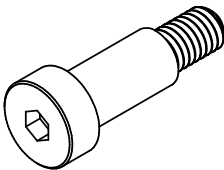
BHCS = Button Head Cap Screw



SHCS = Socket Head Cap Screw



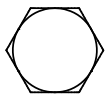
Low Head SHCS = Low Head Socket  
Head Cap Screw



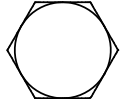
SHSS = Socket Head Shoulder Screw

# OWNER'S MANUAL

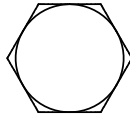
## BOLT SIZING CHART



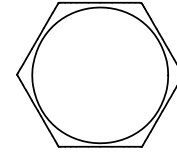
**1/4" HHB**  
RECOMMENDED  
TORQUE RANGE:  
6-8 ft-lbs



**5/16" HHB**  
RECOMMENDED  
TORQUE RANGE:  
14-17 ft-lbs



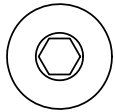
**3/8" HHB**  
RECOMMENDED  
TORQUE RANGE:  
24-30 ft-lbs



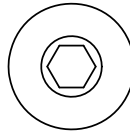
**1/2" HHB**  
RECOMMENDED  
TORQUE RANGE:  
60-75 ft-lbs



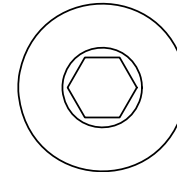
**1/4" BHCS**  
RECOMMENDED  
TORQUE RANGE:  
5-7 ft-lbs



**5/16" BHCS**  
RECOMMENDED  
TORQUE RANGE:  
11-15 ft-lbs



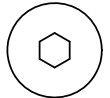
**3/8" BHCS**  
RECOMMENDED  
TORQUE RANGE:  
19-26 ft-lbs



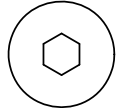
**1/2" BHCS**  
RECOMMENDED  
TORQUE RANGE:  
47-65 ft-lbs



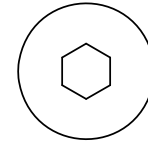
**1/4" LOW HEAD SHCS**  
RECOMMENDED  
TORQUE RANGE:  
4-6 ft-lbs



**5/16" LOW HEAD SHCS**  
RECOMMENDED  
TORQUE RANGE:  
9-12 ft-lbs



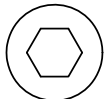
**3/8" LOW HEAD SHCS**  
RECOMMENDED  
TORQUE RANGE:  
18-23 ft-lbs



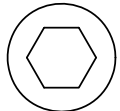
**1/2" LOW HEAD SHCS**  
RECOMMENDED  
TORQUE RANGE:  
40-50 ft-lbs



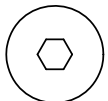
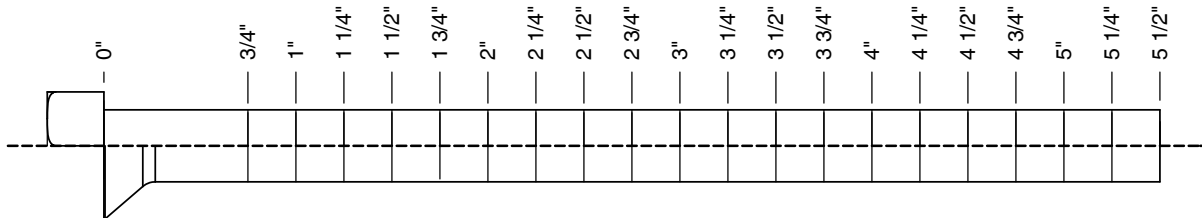
**1/4" SHCS**  
RECOMMENDED  
TORQUE RANGE:  
11-14 ft-lbs



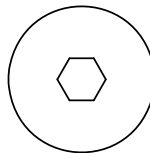
**5/16" SHCS**  
RECOMMENDED  
TORQUE RANGE:  
23-29 ft-lbs



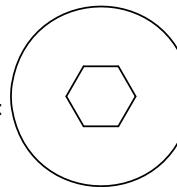
**3/8" SHCS**  
RECOMMENDED  
TORQUE RANGE:  
39-49 ft-lbs



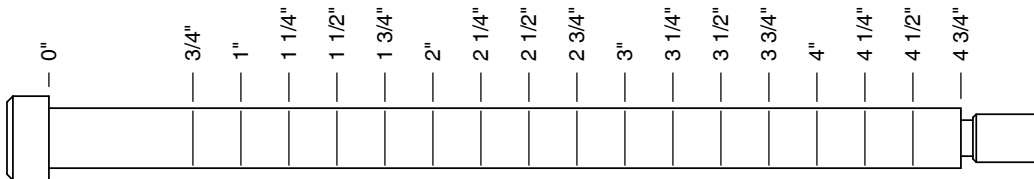
**1/4" FHCS**  
RECOMMENDED  
TORQUE RANGE:  
5-7 ft-lbs



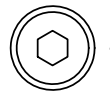
**3/8" FHCS**  
RECOMMENDED  
TORQUE RANGE:  
19-26 ft-lbs



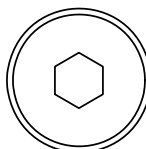
**1/2" FHCS**  
RECOMMENDED  
TORQUE RANGE:  
47-65 ft-lbs



**1/4" SHSS**  
RECOMMENDED  
TORQUE RANGE:  
3-4 ft-lbs



**5/16" SHSS**  
RECOMMENDED  
TORQUE RANGE:  
8-10 ft-lbs

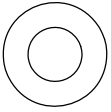


**3/8" SHSS**  
RECOMMENDED  
TORQUE RANGE:  
17-22 ft-lbs

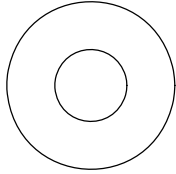
# OWNER'S MANUAL

## WASHER SIZING CHART

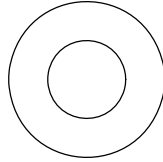
013-0002003  
1/4"  
FLAT WASHER  
SMALL, SAE, 13mm



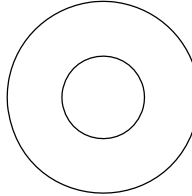
013-0102004  
5/16"  
FLAT WASHER  
LARGE, USS, 22mm



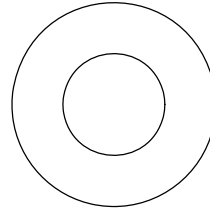
013-0002004  
3/8"  
FLAT WASHER  
SMALL, SAE, 21mm



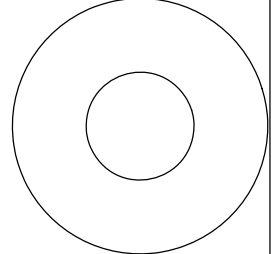
013-0402005  
3/8"  
FLAT WASHER  
LARGE, USS, 25mm



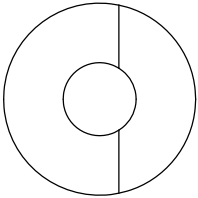
013-0102003  
1/2"  
FLAT WASHER  
SMALL, SAE, 27mm



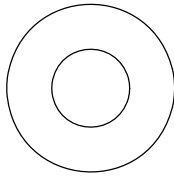
013-0102026  
1/2"  
FLAT WASHER  
LARGE, USS, 34mm



013-0102028  
3/8"  
CURVED WASHER



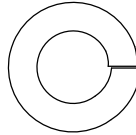
013-0402007  
3/8"  
FLAT WASHER  
22mm O.D.



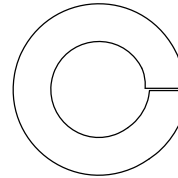
013-0102019  
1/4"  
LOCK WASHER



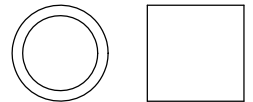
013-0102020  
3/8"  
LOCK WASHER



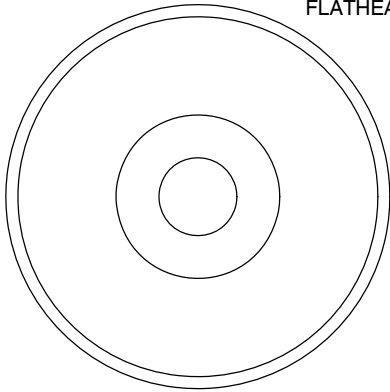
013-0102018  
1/2"  
LOCK WASHER



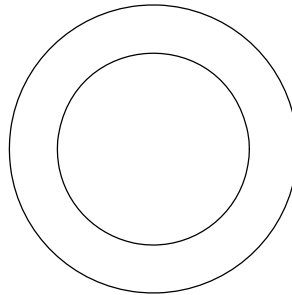
014-0018001  
1/2" LONG  
SPACER



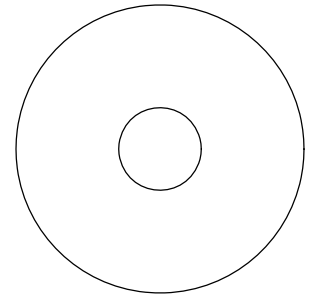
026-01M0238  
2" ALUMINUM  
FLATHEAD CAP



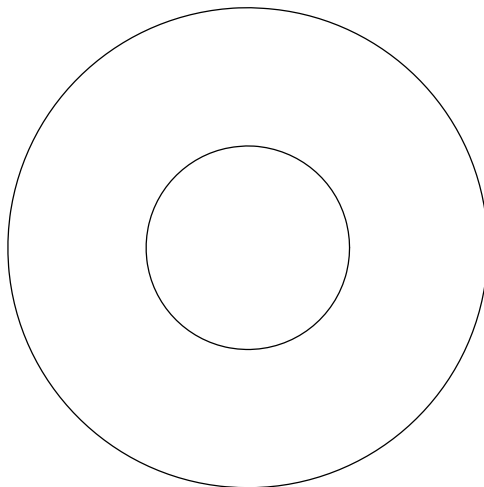
016-0009003  
1" SHIM WASHER



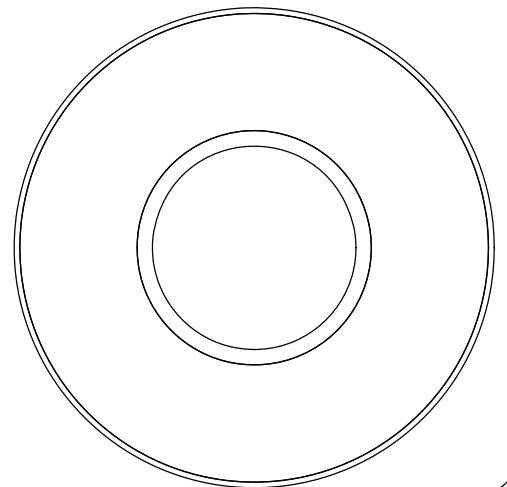
013-0003002  
3/8" FENDER WASHER



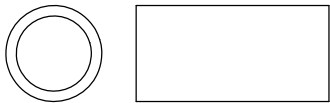
013-0003004  
1 1/16"  
FENDER WASHER



026-01PL151  
PLASTIC 1 1/16"  
FENDER WASHER



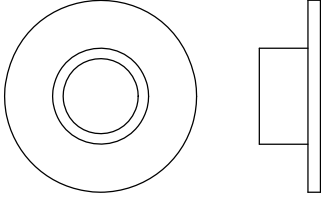
014-0018002  
1" LONG  
SPACER



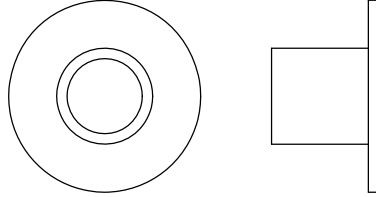
# OWNER'S MANUAL

## WASHER SIZING CHART (CONTINUED)

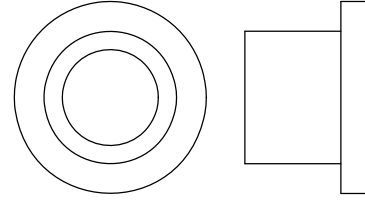
**026-01M0211**  
1/4" LONG  
FLANGED SPACER



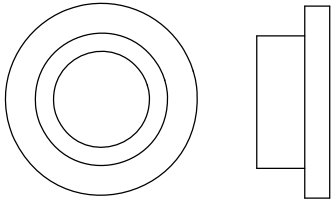
026-01M0198  
1/2" LONG  
FLANGED SPACER



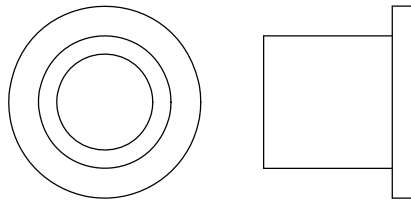
**026-01M0760**  
1/2" LONG HEAVY  
FLANGED SPACER



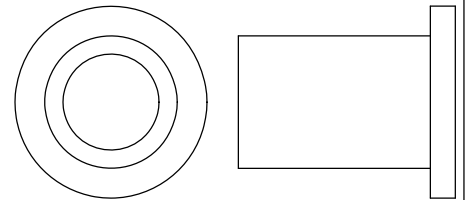
026-01M211T  
1/4" LONG HEAVY  
FLANGED SPACER



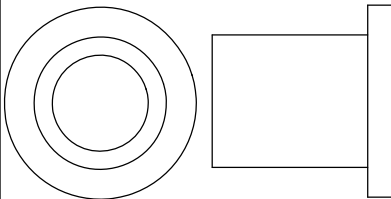
026-01M0532  
11/16" LONG HEAVY  
FLANGED SPACER



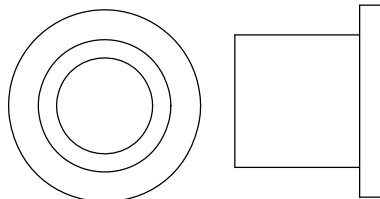
**026-01M0551**  
1" LONG HEAVY  
FLANGED SPACER



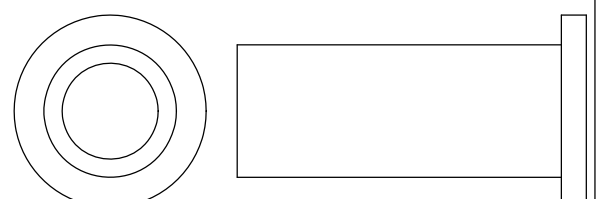
026-01M0788  
.81" LONG HEAVY  
FLANGED SPACER



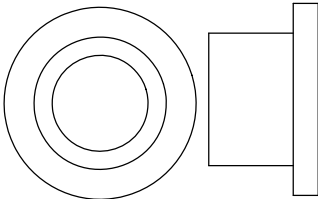
026-01M0780  
.65" LONG HEAVY  
FLANGED SPACER



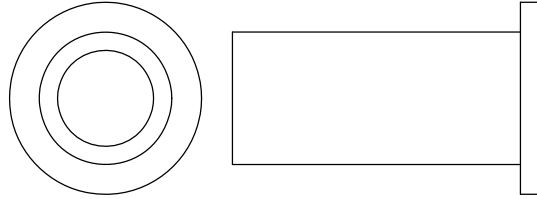
026-01M0761  
1 11/16" LONG HEAVY  
FLANGED SPACER



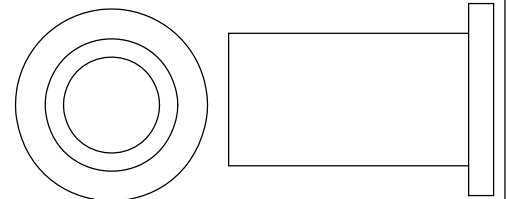
026-01M0789  
.44" LONG HEAVY  
FLANGED SPACER



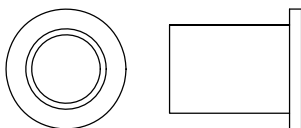
026-01M0762  
1 1/2" LONG HEAVY  
FLANGED SPACER



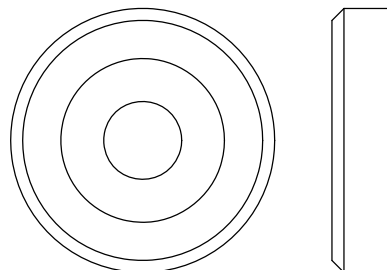
026-01M0768  
1 1/4" LONG HEAVY  
FLANGED SPACER



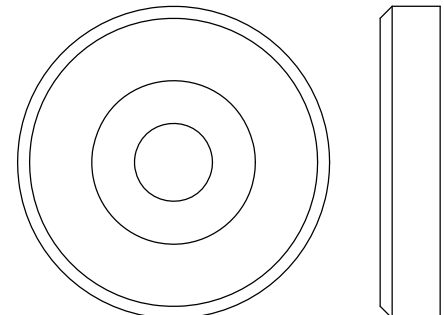
**026-01M0600**  
.625" LONG  
FLANGED SPACER



026-01M0240  
1 3/8" ALUMINUM  
FLATHEAD CAP



**026-01M0239**  
1 5/8" ALUMINUM  
FLATHEAD CAP





# OWNER'S MANUAL

## MAINTENANCE SCHEDULE

ROUTINE	COMMERCIAL / LIGHT COMMERCIAL MAINTENANCE	HOME MAINTENANCE	LATEST DATE ENTRY																	
Inspect; Links, Pull Pins, Snap Locks, Swivels, Weight Stack Pins	DAILY	WEEKLY																		
Clean; Upholstery	DAILY	WEEKLY																		
Inspect; Cables or Belts and their tension	DAILY	WEEKLY																		
Inspect; Accessory Bars, and Handles	WEEKLY	3 MONTHS																		
Inspect; All Decals	WEEKLY	3 MONTHS																		
Inspect; All Nuts and Bolts, Tighten if needed	WEEKLY	3 MONTHS																		
Inspect; Anti-Skid Surface	WEEKLY	3 MONTHS																		
Clean & Lubricate; Guide Rods with a Teflon (PTFE) based lubricant (Superlube)	MONTHLY	3 MONTHS																		
Lubricate; Seat Sleeves, Turcite Bushings, Linear Bearing	MONTHLY	3 MONTHS																		
Clean and Wax; All Glossy Finishes	6 MONTHS	YEARLY																		
Repack with Grease; Linear Bearings	6 MONTHS	YEARLY																		
Replace; Cables, Belts and Connecting Parts	YEARLY	3 YEARS																		

*Your equipment comes with a commercial maintenance decal.  
For personal, in home use, please follow the home maintenance schedule listed above.*

***Never use ammonia, acid-based, or petroleum-based solvents on any portion of the machine as it may damage the finish.***

# OWNER'S MANUAL

## **HOIST FITNESS SYSTEMS GENERAL MAINTENANCE INFORMATION**

### **Links, Pull-Pins, Snap Hooks, Swivels, Weight Stack Pins:**

- \*Check all pieces for signs of visible wear or damage.
- \*Check springs in snap hooks and pull-pins for proper tension and alignment.
- \*If the spring sticks or has lost its rigidity, replace it immediately.

### **Upholstery:**

- \*To ensure prolonged upholstery life and proper hygiene, all upholstered pads should be wiped down with a damp cloth after every workout.
- \*Periodically take the time to use a mild soap or an approved vinyl upholstery cleaner to deter the onset of cracking or drying. Avoid using any abrasive cleaners or cleaners not intended for use on vinyl.
- \*Replace ripped or worn upholstery immediately.
- \*Keep sharp or pointed objects clear of all upholstery.

### **Decals:**

- \*Inspect and familiarize yourself with any safety warnings or other user information posted on each decal.

### **Nuts and Bolts:**

- \*Inspect all nuts and bolts for any loosening and tighten if needed.
- \*Go through a re-tightening sequence periodically to ensure that all hardware is tensioned proper.

### **Anti-Skid Surfaces:**

- \*These surfaces are designed to supply secure footing and need to be replaced if they appear worn or become slippery.

### **Belts and Cables:**

- \*Hoist uses only high quality belt, and mil-spec cables.
- \*Visually inspect the belts and cables for fraying, cracking, peeling or discoloration.
- \*While the machine is not in use, carefully run your fingers along the belt or cable to feel for thinning or bulging areas.
- \*Replace belts and cables immediately at the first signs of damage or wear. Do not use equipment until belts or cables have been replaced.

### **Belt and Cable Tension:**

- \*Referring to the Owners Manual, when belts or cables are used check all bolts attachments to be sure they are properly attached.
- \*Check slack in cables and re-adjust cable tension if needed.

### **Seat Sleeves, Guide Rods:**

- \*Wipe down adjusting tubes with a dust free rag before applying lubricant.
- \*Lubricate seat sleeves and Guide Rods with a Silicon or Teflon based lubricant spray.

### **Linear Bearings:**

- \*Referring to the Owners Manual carefully disassemble the bearing from its housing and place a finger full of light grease (lithium, super lube, etc.) into the inside of the bearing. Using your finger, press the grease into the ball-bearings and their tracks. repeat until the ball-bearing tracks are full of grease. Insert the shaft back into the bearing and wipe off excess grease.

**PLEASE KEEP THIS FOR YOUR RECORDS**

# OWNER'S MANUAL

## WEIGHT TRAINING TIPS

Use this manual to guide you through the basic exercises you can perform on your CMJ-6175 HOIST® Fitness System. To gain maximum results and avoid possible injury, consult a fitness professional to develop your complete exercise program.

Always consult your physician before starting any exercise program.

To be successful in your exercise program, it is important to develop an understanding of the basic principles of strength training. Now that you have your CMJ-6175 HOIST® Fitness System, it is only natural that you want to get started immediately. First, determine a set of realistic goals and objectives for yourself. By deciding on an exercise plan that is right for you prior to starting, you will contribute significantly to your success.

Warm up properly before engaging in weight resistance training. Stretching, yoga, jogging, calisthenics or other cardiovascular exercise can help prepare your body for the heavier workload of lifting weights.

Learn how to perform the exercise correctly before using heavy weight. Correct form is important to avoid injury and to ensure that you work the proper muscle groups.

Know your limitations. If you are new to weight training or are embarking on an exercise regimen after a long layoff, start slowly and build foundational strength over a longer period of time.

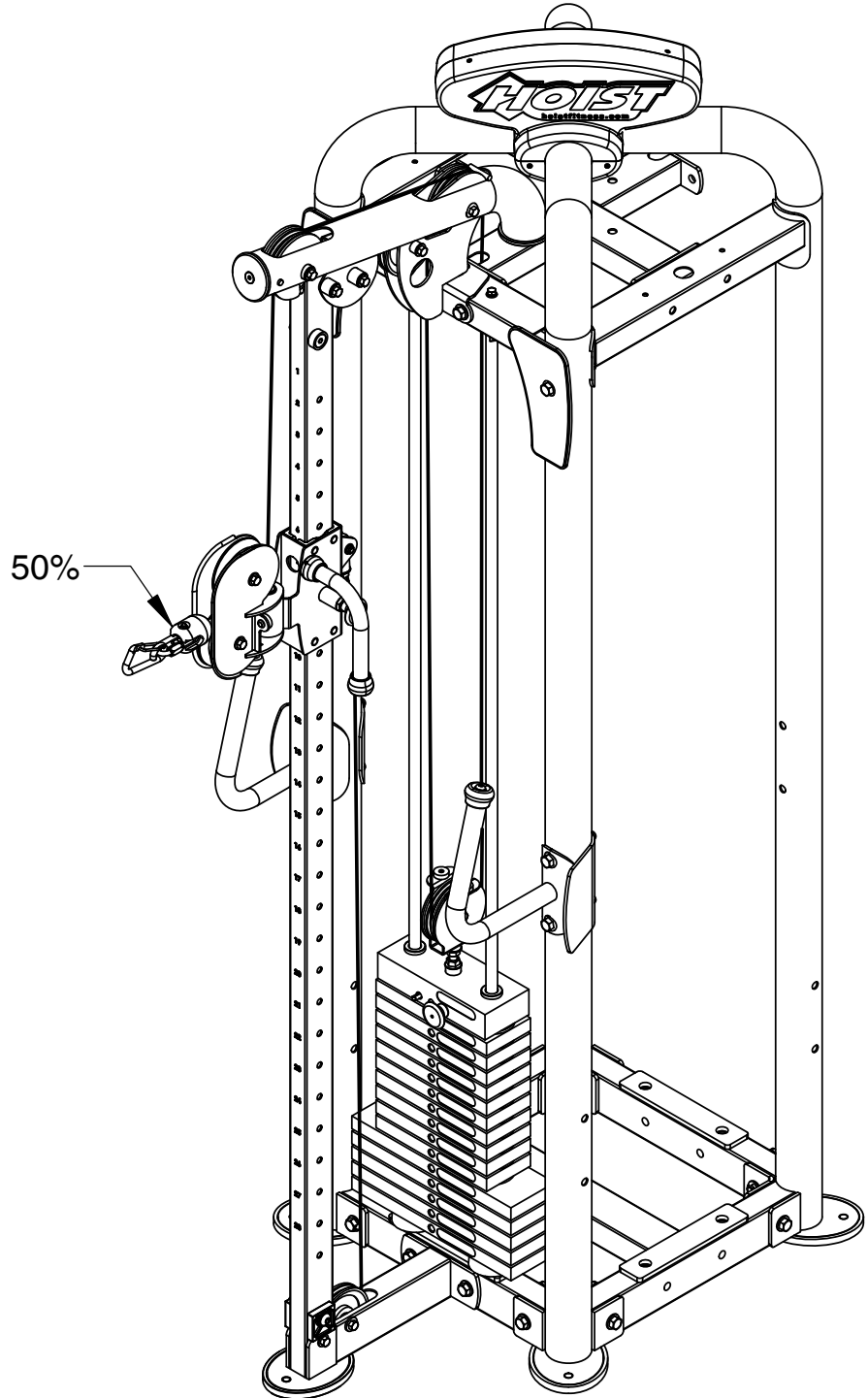
Pay attention to your breathing. Exhale when you exert is a general rule of thumb. Never hold your breath.

**Enjoy your CMJ-6175 HOIST® Fitness System!**

# OWNER'S MANUAL

## WEIGHT RATIOS

	50%
1	10
2	15
3	20
4	25
5	30
6	35
7	40
8	45
9	50
10	55
11	60
12	67.5
13	75
14	82.5
15	90
16	97.5



The above chart shows the standard weight stack for this unit. The weights listed are approximate. HOIST reserves the right to modify the machine without prior notice.



# OWNER'S MANUAL

## **HOIST FITNESS SYSTEMS** **LIMITED LIFETIME WARRANTY**

Hoist Fitness Systems warrants this product to the **original purchaser** to be free from defects in workmanship and/or materials under normal use or service. If at any time a component part is defective, Hoist Fitness Systems shall repair or replace it (at Hoist Fitness Systems option) within a reasonable period of time. This warranty does not cover costs of removal, transportation or reinstallation. This warranty shall not apply if the defect was caused by misuse, neglect or normal wear and tear.

**WARRANTY CLAIMS. All claims require: Model number, Serial number, Date of installation, and any information supporting the existence of the alleged defect.**

To complete Warranty Registration visit:  
[www.HOISTFITNESS.com](http://www.HOISTFITNESS.com)  
and click on the Warranty Registration link

Starting from the original date of purchase, normal wear and tear shall be considered as the following:

**COMMERCIAL USE:** All malfunctions of upholstery, grips, and coatings that occur up to one year; all malfunctions of belts, or **cables** up to one year; all malfunctions of pulleys, bearings, or bushings that occur up to three years. The frame and body components are warranted for ten years, with structural moving parts warranted for five years.

**LIGHT COMMERCIAL USE:** All malfunctions of upholstery, grips, and coatings that occur up to one year; all malfunctions of belts, or **cables** up to one year; all malfunctions of pulleys, bearings, or bushings that occur up to three years. The frame and body components are warranted for ten years, with structural moving parts warranted for five years.

**HOME USE:** All malfunctions of grips, paint, and chrome that occur up to ten years; all malfunctions of electronic components, belts, **cables**, or upholstery that occur up to ten years; all malfunctions of pulleys, bearings, or bushings that occur up to ten years. The frame and all welded components are warranted for the life of the product.

**PLEASE NOTE THAT NOT ALL HOIST PRODUCTS ARE MADE FOR COMMERCIAL USE.** Refer to the instructions page of your owners manual or consult with you fitness product dealer to establish if a product is made for commercial use or not. Using a non-commercial product in a commercial setting can result in serious injury or death! Hoist Fitness Systems sole responsibility shall be to repair or replace the component within the terms stated above. Hoist Fitness Systems shall not be liable for any loss or damage of any kind including any incidental or consequential damages resulting, directly or indirectly from any warranty expressed or implied or any other failure of this product.

**LIGHT COMMERCIAL USE:** Our Light Commercial warranty applies to facilities that **DO NOT** charge monthly membership dues and where the equipment would be used by **no more than 50** people per day. Examples of Light Commercial facilities include hotels, apartment complexes, personal training studios, fire stations, police stations, etc., that meet the criteria stated above.

**WHAT IS NOT COVERED BY THIS WARRANTY:** Hoist's sole obligation under this warranty is limited to either repair or replacement of parts, subject to the additions below. This warranty neither assumes nor authorizes any person to assume obligations other than expressly covered by this warranty.

**NO CONSEQUENTIAL DAMAGES:** Hoist is not responsible for economic loss; profit loss; or special, indirect, or consequential damages.

**WARRANTY IS NOT TRANSFERABLE:** This warranty is not assignable and applies only in favor of the original purchaser/user to whom delivered. Any such assignment or transfer shall void the warranties herein made and shall void all warranties, expressed, implied or statutory, except the one (1) and five (5) year warranties described above. These warranties are exclusive and in lieu of all other warranties, including implied warranty and merchantability or fitness for a particular purpose. There are no warranties which extend beyond the description on the face hereof.

**TRANSPORTATION COSTS:** Hoist will accept parts covered under this warranty freight collect, provided that shipment has received prior approval. Hoist is not responsible for any other transportation costs, but will ship freight collect parts either repaired or replaced under these warranties.

Hoist Fitness Systems  
11900 Community Rd.  
Poway, CA. 92064  
(800)548-5438

**PLEASE KEEP THIS FOR YOUR RECORDS**